

rotograph prime

Digital Panoramic System



radiology ahead

next generation digital panoramic unit

Cutting-edge technology and design

Rotograph Prime is the first in a new generation of digital panoramic units, featuring *advanced imaging technology* together with a *compact, practical* yet *elegant* body machine. This clever combination of technology and simplicity enables the Rotograph Prime to produce high-quality images effortlessly, providing immediate diagnoses and faster daily workflows.

The most eye-catching features of Rotograph Prime are its *elegant design* and its *original wall installation system*, which are the result of Villa's capacity of innovation and creativity in panoramic dental units design.

The cutting-edge design, with its *curved surfaces* and *sleek lines*, makes Rotograph Prime easier to use and *optimizes its ergonomics*, providing at the same time a nice and attractive look; as a result, patients feel more relaxed when they come into contact with the device perceiving in this way an altogether more pleasant examination experience.

The Rotograph Prime's exceptional *value for money* and linear design mean it can be integrated into any dental practice, improving efficiency as well as enhancing *modernity* and *technological value*.

innovative
design





Elegant and linear design



Lightweight and compact structure



Ergonomic and hygienic

Innovative wall mounting



quick and easy to install



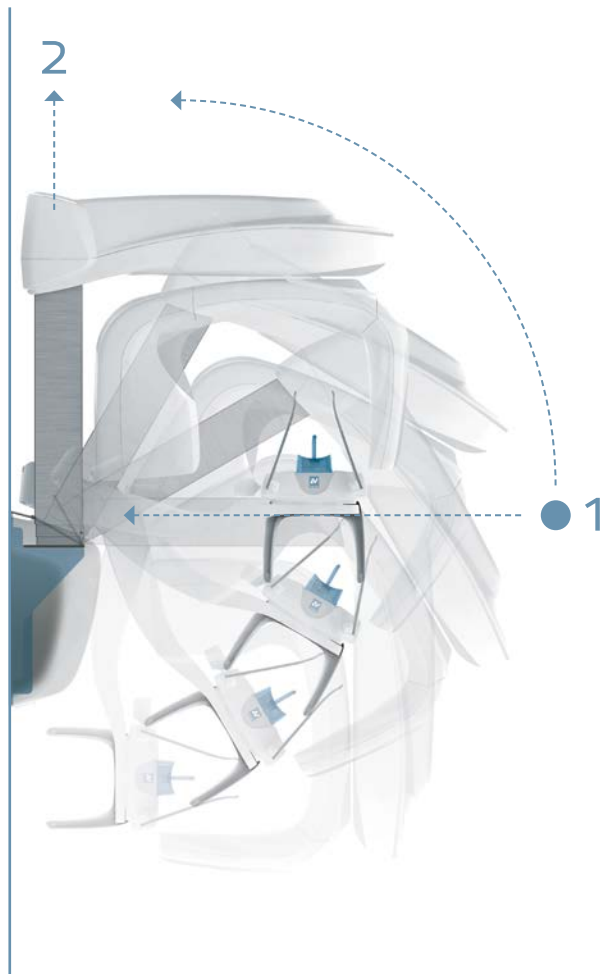
Innovative wall mounting

The Rotograph Prime's dynamic and elegant design highlights its excellent functionality in its unique mechanical structure, made of a *lightweight compact body*, which enables an innovative wall installation solution; the unit has a very small wall footprint and takes up *minimal operating space*, which means it can be mounted almost *anywhere* inside the practice.



Together with the intelligent design of its dual-function packaging, the Rotograph Prime's compactness makes it quick and easy to install – *one person* can install it *in just two simple steps*: fixing the base to the wall, and then easing the unit upwards and connecting it to the mains electricity. It is now ready for use.

Installation is extremely fast, so as not to interrupt the daily operations of the dental practice.





*fix & lift
installation +*

fast examination settings, better patient care

Quick and precise positioning

The Rotograph Prime patient positioning system was designed to be as *fast* and *simple* as possible, in order to optimize preparation times for the exam and maximize equipment productivity.

As it has no floor base and its motorized telescopic columns can move in a wide range, the panoramic unit can deal with any type of patient, whether standing or sitting, and the height can quickly be adjusted using the *simplified keypad* on the machine.

Face-to-face positioning helps ensure *correct alignment of the patient* using the two laser beams, and select the correct type of dentition via the unit's control panel, thus *automatically adjusting* the focal layer.

The patient's head is held in place using two lateral temple supports and a chin rest with bite stick. A *complete set of different supports* also helps optimize positioning, depending on the type of person or test.

In order to *preserve hygiene* for the patient and the dental practice, the two support handles are coated with a special antibacterial paint which releases silver ions, that prevent the development of microorganisms on their surface.



fast
positioning



ease of use and immediate diagnosis

Intuitive interface for fast imaging operations

Exam parameters are set through the intuitive *virtual user interface*, which can also be used with a touch-screen monitor.

Access every single function in just a *few simple steps* using the icon-based graphical interface, making it quick and easy to customize parameters.

The Rotograph Prime's *anatomical programs* mean fast setting times and reduced error. All of the information for each projection, including the radiation dose, is displayed immediately, thus providing a *complete overview* of the examination.

Fast and silent motions for better results

Rotograph Prime stands out in terms of its *fast, silent movements*, which improve quietness and patient comfort during examinations, thus reducing artefacts on the images.

The efficient motion trajectory and the state-of-the-art *digital sensor* provide clear contrast images at low-dose values within seconds of exposure, for a rapid and simple diagnosis.

Rotograph Prime thus provides a *full diagnostic system* that is *quick to use*, provides high-quality results and is affordable with a minimum investment.



intuitive



interface +

excellent image quality

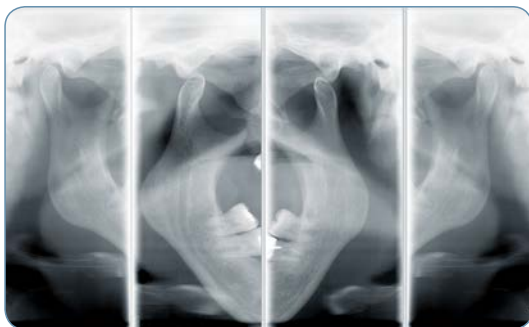
Rotograph Prime offers a *wide range of panoramic projections* to suit all dental panoramic X-ray requirements. In standard configuration, the Rotograph Prime already has all the classic projections needed for general dentistry: panoramic, examination of the temporomandibular joints, examination of the maxillary sinuses. Where more specific projections are required for diagnostic purposes, the *Panoramic XP add-on examinations package* includes half-panoramic, improved orthogonal projection, detailed frontal dentition, low-dose panoramic and bite-wing projections.



Standard panoramic: classic projection, complete imaging of the mandible and maxilla, maxillary sinuses, temporomandibular joints and supporting structures.



Child panoramic: reduces the area and the exposure time, thus allowing a considerable reduction in the radiation dose delivered to the small patient.



TMJ - temporomandibular joint: examination can be carried out with the mouth either open or closed. Lateral projection shows the exact location of the condyle.



Half-panoramic, left and right: entails a significant dose reduction as the diagnostic objective is limited to one semi-arch.



Maxillary sinuses: examination in which the image area is raised in order to increase the visibility of the sinus area and the apices of the upper teeth.



Frontal dentition: program that limits exposure to the front of the arches, with optimized focal layer.

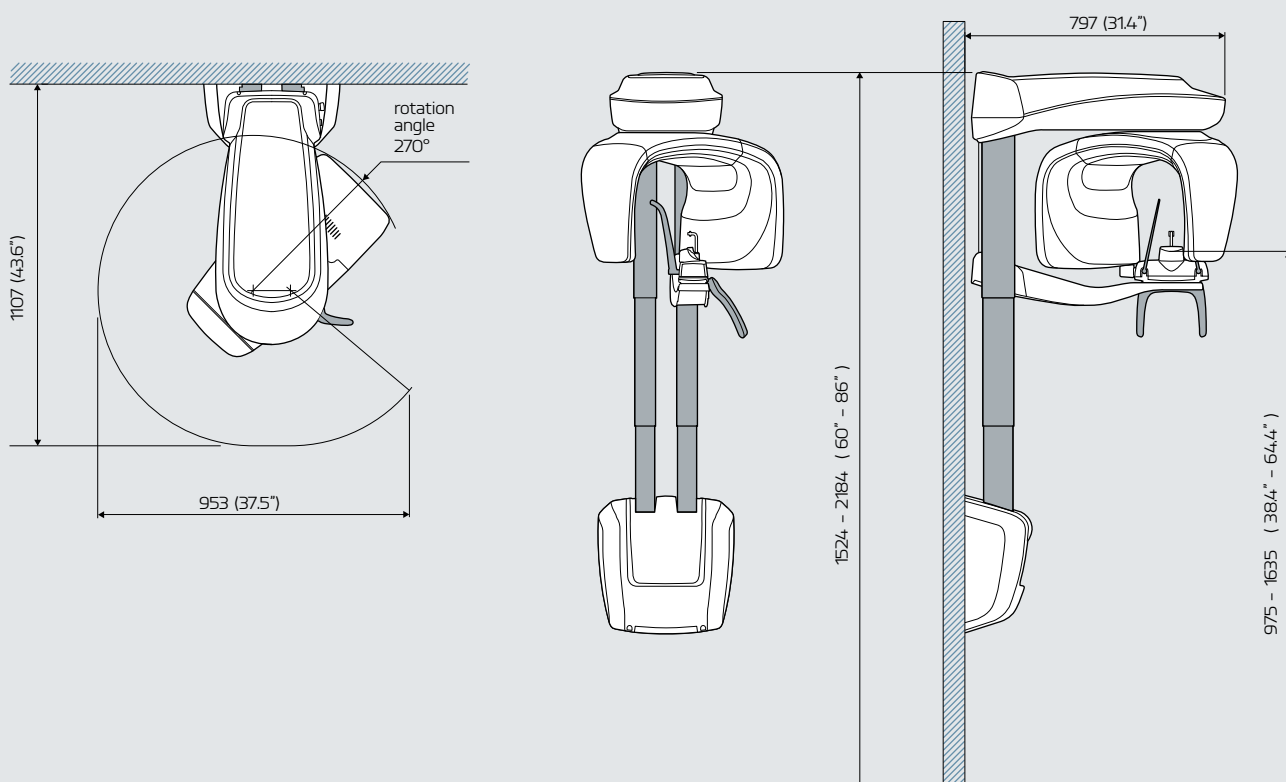


Bite-wing exams: show single or double bite-wing views (or both) in a single image.

Rotograph Prime

Technical Specifications

Dimensions



Examination programs

Standard programs	Panoramic (adult/child) TMJ open/closed mouth in lateral projection Maxillary sinuses P-A
Panoramic XP package	Half-panoramic (left/right) Orthogonal panoramic Low-dose panoramic Frontal dentition Bite-wing (left/right/double)

Technical data

High voltage	60 - 70 kV
Anodic current	2 - 7.1 mA
Focal spot	0.5 mm (EN 60336)
Weight	62 kg (wall version)
Supply current	220-240 V / 110-120 V (± 10%) single phase
Sensor technology	CCD sensor with Caesium Iodide (CsI) scintillator screen
Pixel size	48 µm
Grey levels	4096 - 12 bits



radiology ahead

Competence in x-ray systems

Villa Sistemi Medicali is one of the most important manufacturers of radiological systems worldwide. Leveraging more than 50 years of experience in X-ray field, the company's know-how covers all technologies which can create a modern radiographic examination room.

A wide range of equipment

Our range of products includes:

- Digital X-Ray systems
- Remote controlled tables
- Classical tilting tables
- General rad rooms
- Mobile units
- Surgical C arms
- Mammography
- Dental units: intra-oral, panoramic and 3D.

Our priority: Technical Service

A wide network of highly skilled service engineers ensures effective and reliable maintenance of all Villa Sistemi Medicali equipment installed worldwide. Preventive maintenance programs and service contracts are defined by our qualified personnel and adapted to the needs of our customers.

Logistic services: a global presence

Villa Sistemi Medicali daily provides full systems, spare parts, accessories and consumables, shipped regularly to all our customers, worldwide, using the most efficient couriers. Shipment modalities include ground, ship, air and inter-modal freight transport.



Villa Sistemi Medicali Spa

Via delle Azalee, 3
20090 Buccinasco - Italy
Tel. +39 02 48859.1
Fax +39 02 4881.844
vsminfo@villasm.com
www.villasm.com

Villa Radiology Systems

91 Willenbrock Rd. B-1
Oxford, CT 06478 - USA
Tel. +1 203 262 8836
Fax +1 203 262 8837
info@villaus.com
www.villaus.com



ISO 9001:2008



ISO 13485:2003